

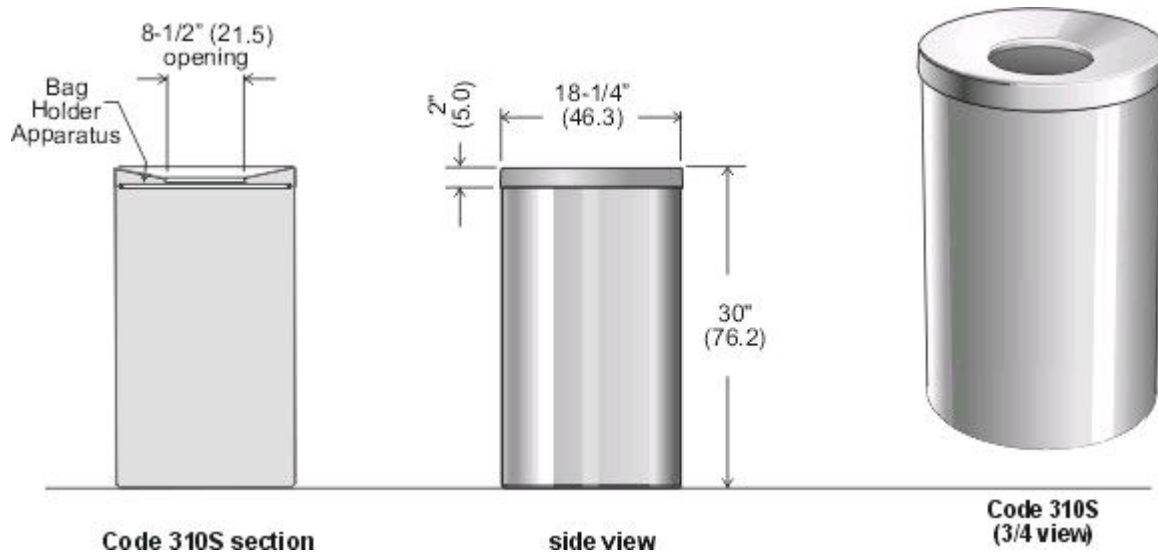


- Quality
- Value
- Service

**Tech
Reference**

Lobby Waste Receptacle

Code 310S: Large capacity all stainless steel waste receptacle



Specifications:

Site Location: This free standing waste receptacle is ideal for high traffic areas requiring the quality and durability of an all stainless unit without the commitment of wall mounting. The 310 offers clean geometric design lines with radiused corners, ideal for lobbies and reception areas.

Features: All stainless steel construction, number 4 brushed finish. Spun 18 ga. type 304 stainless steel top. One piece roll formed 22 gauge stainless steel body. 22 ga. stainless steel spun bottom. Comes with standard bag holder apparatus.

Volume: 125 litres (27.5 Imp. gal., 33 gal. US).

Packaging: Shipped in a durable corrugated container. Body comes with a protective plastic to be removed after installation.

Description and specifications applicable on date issued. Frost reserves the right to make improvements or changes without notice.