

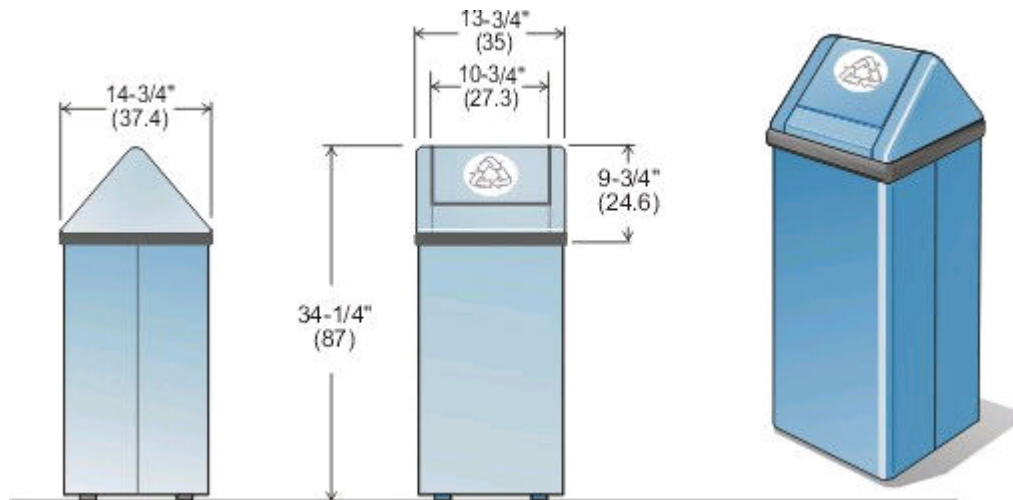


- Quality
- Value
- Service

**Tech
Reference**

Free Standing Recycling Receptacle

Code 301R-NL: Medium, 34-1/4" high, blue finish



Specifications:

Site Location: The Frost free standing recycling container can be positioned where ever recycling receptacles are required, including under most counter tops. The all metal construction is ideally suited to fire protection and rugged use.

Features: Rounded soft edge design. All welded construction of 22 gauge cold rolled steel. Optional light weight 26 gauge galvanized steel liner provides extra fire protection. All units come with standard bag holder apparatus. Finished in hybrid epoxy polyester powder paint (easily identifiable recycling blue colour) and black vinyl trim. Recessed feet elevate the unit to provide a neat appearance with minimal maintenance. Packaged in corrugated cartons.

Capacity: 80 litres (21 US, 17.5 imp. gal.), shipping weight: 12 kg.(23 lbs.)

Optional Liner: Code 301-500: 64 litres (19 US, 14 imp. gal.), Shipping weight 5.4 kg. (10 lbs.)

Dimensions: 25" (63.5) x 12-1/2" (54.6) x 12-1/2" (54.6).

Description and specifications applicable on date issued. Frost reserves the right to make improvements or changes without notice.